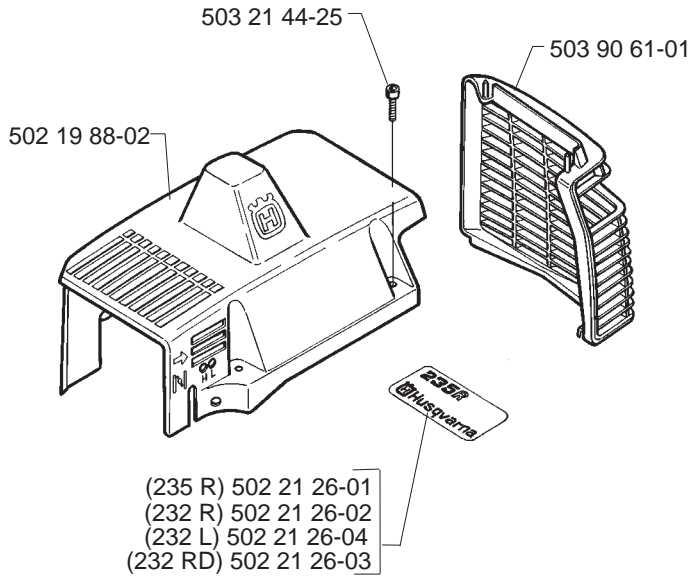
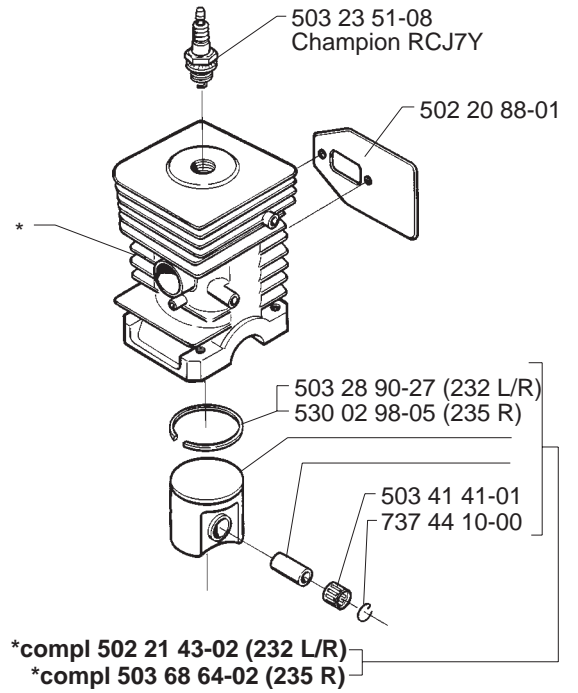
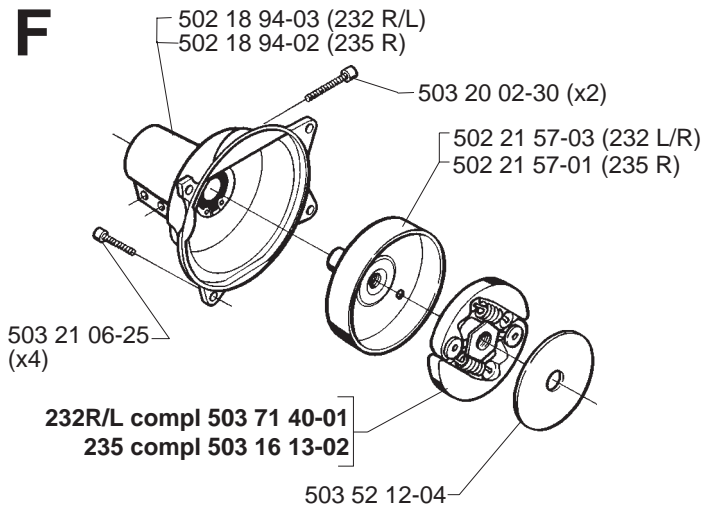
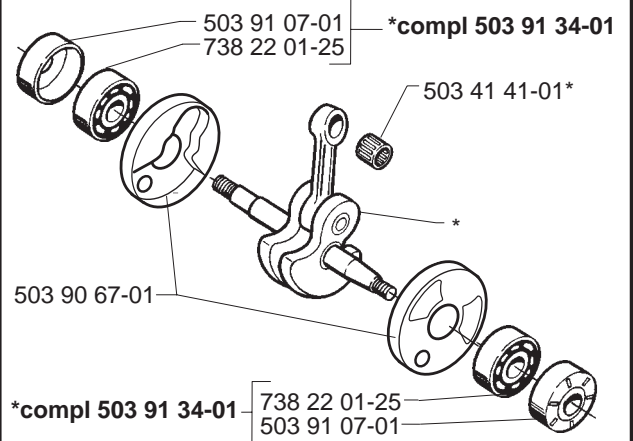
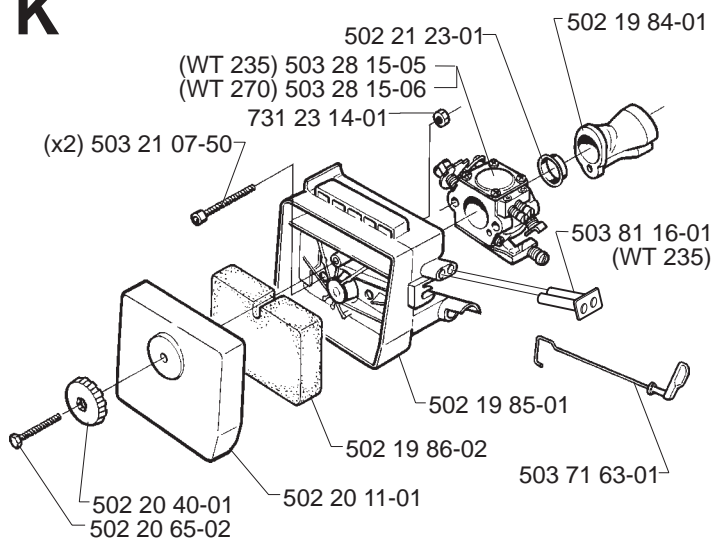


**C****D**

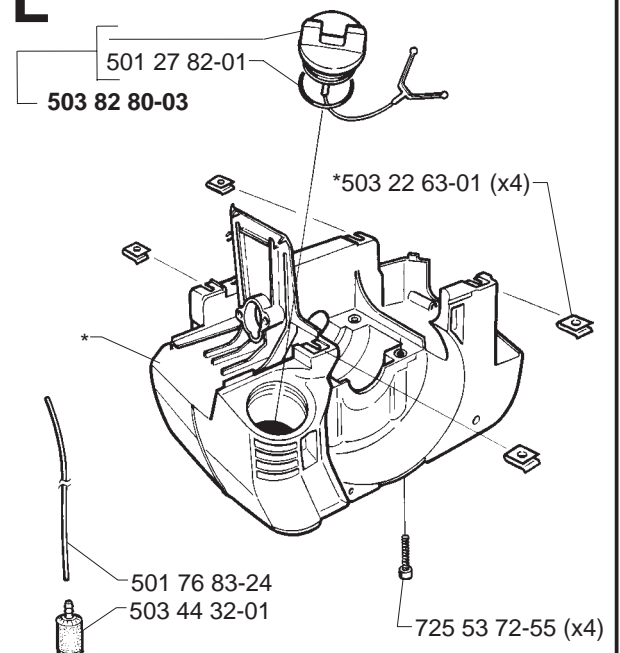
\*compl 503 72 80-01 (232 L/R)  
 \*compl 503 69 46-01 (235 R)

**F****G**

\*compl 502 21 28-03

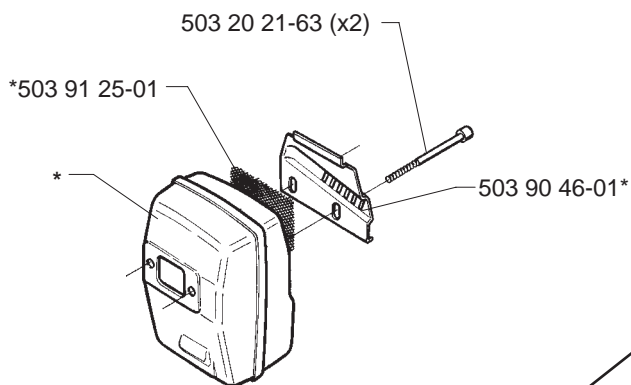
**K****L**

\*compl 503 84 00-01

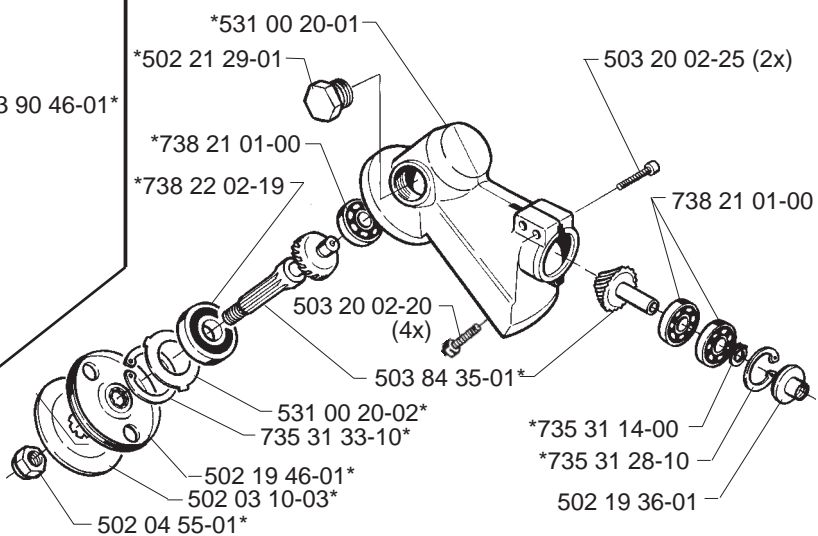


**E**

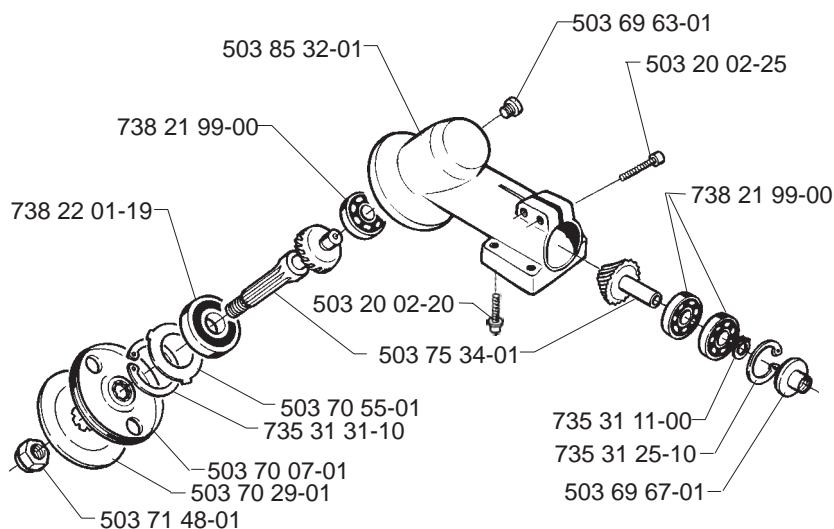
\*compl 503 90 47-01

**B**

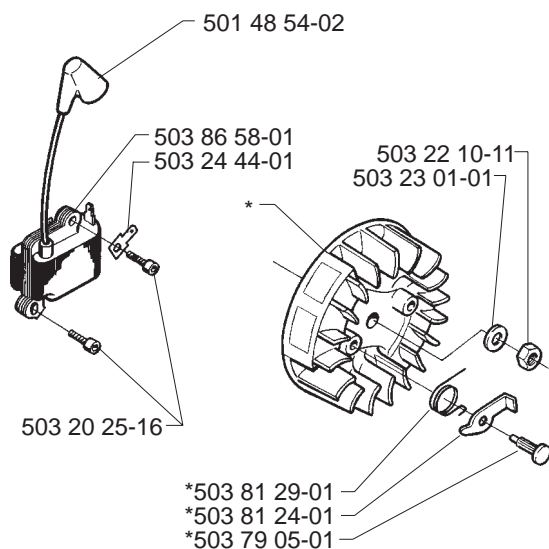
\*compl 502 18 50-01

**235 R****Q**

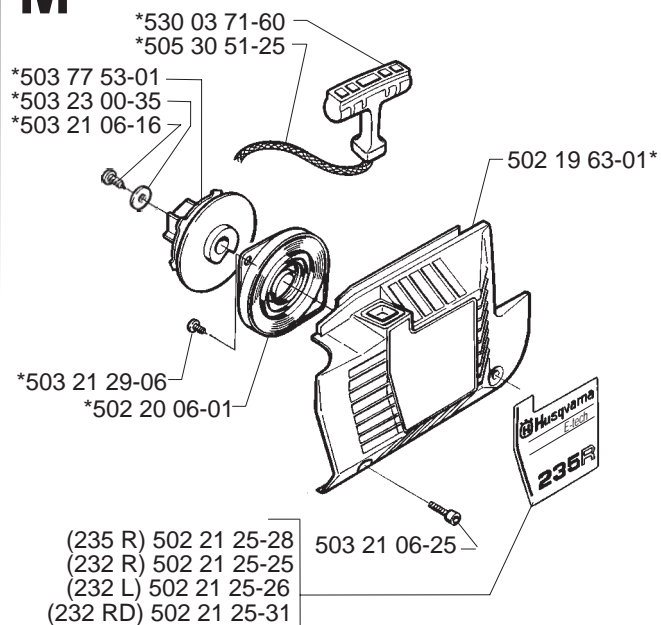
compl 502 21 92-03

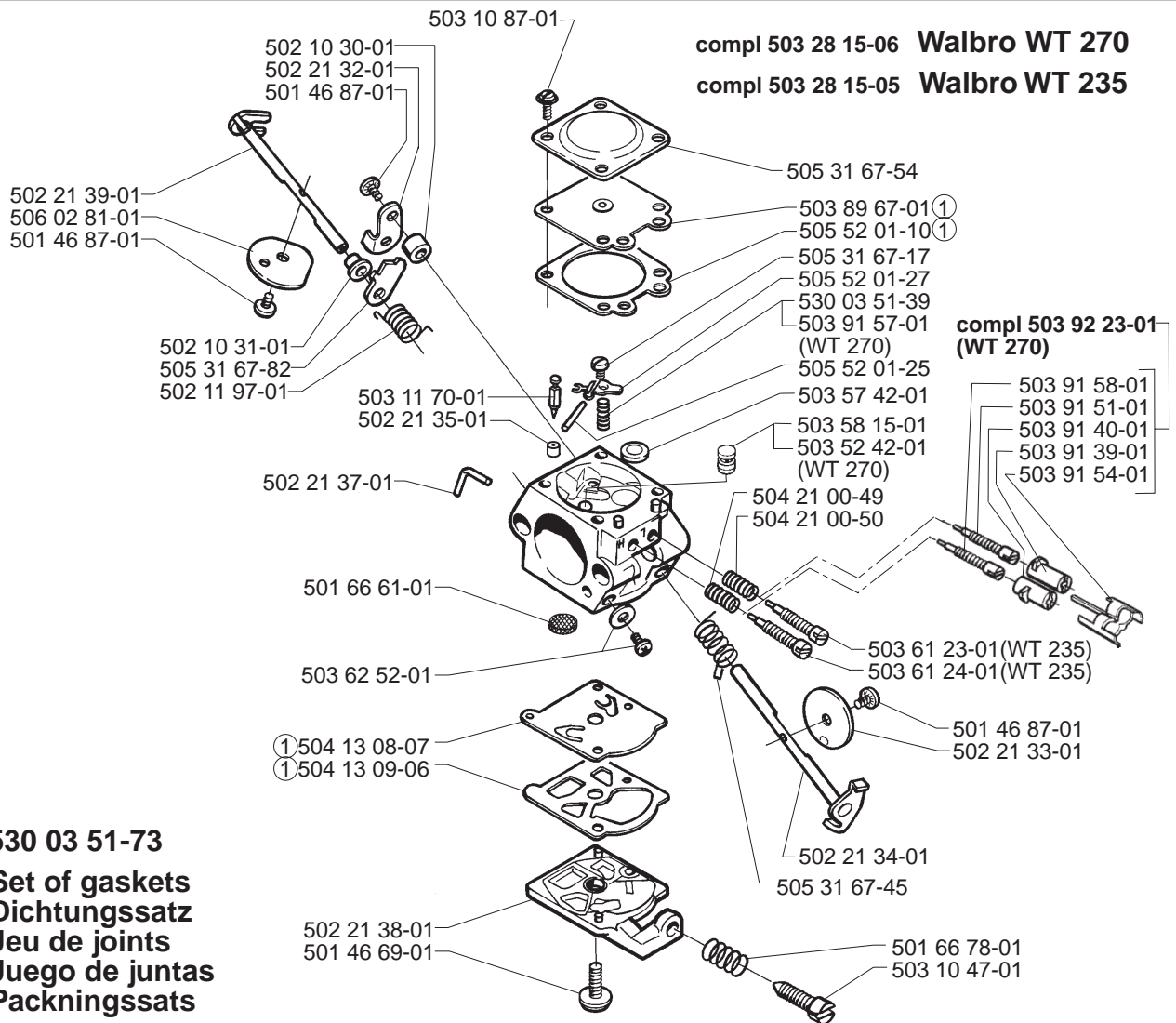
**232 R/RD/L****H**

\*compl 503 79 06-01

**M**

\*compl 502 18 95-01



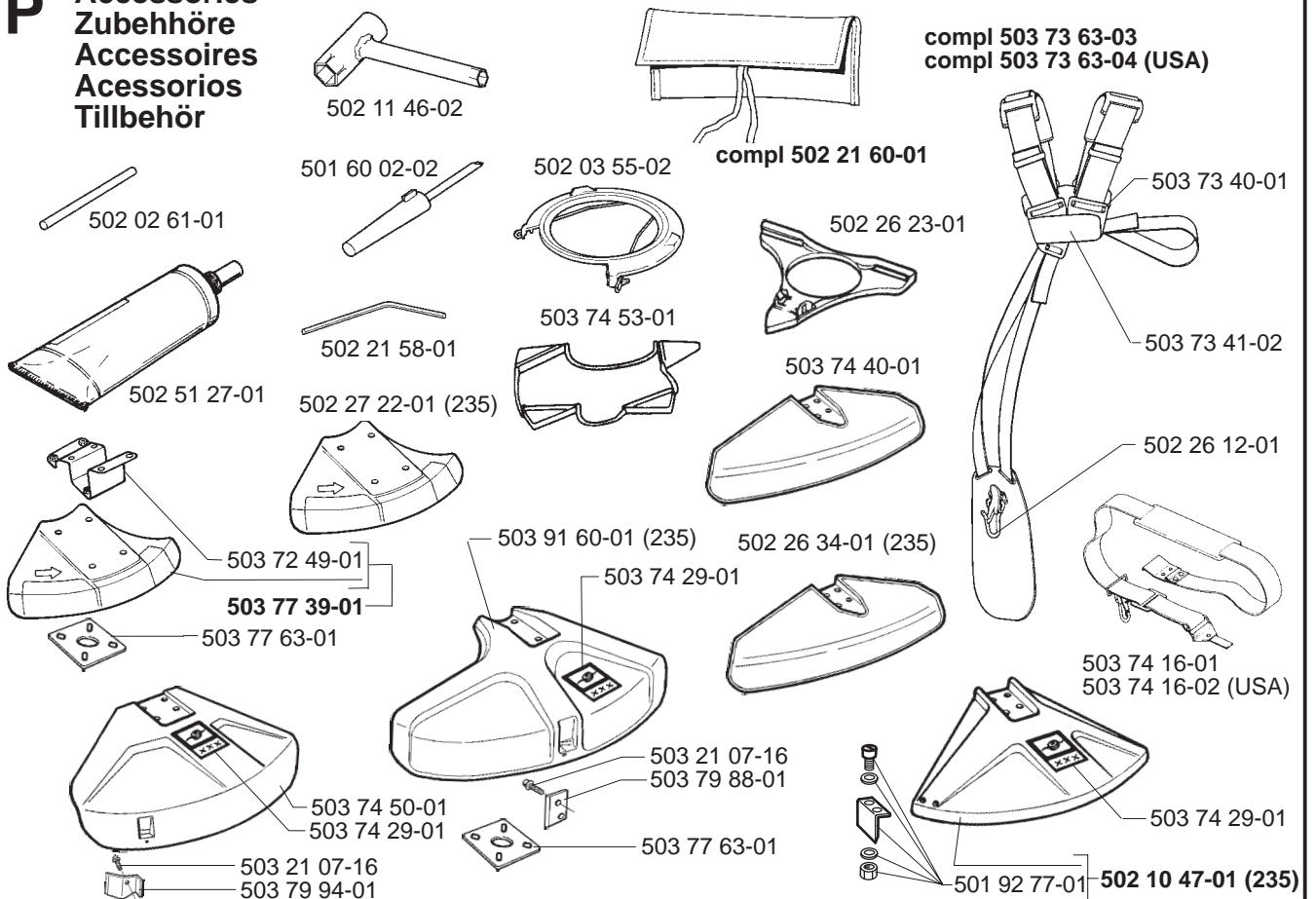
**N**

① 530 03 51-73

**Set of gaskets**  
**Dichtungssatz**  
**Jeu de joints**  
**Juego de juntas**  
**Packningsats**

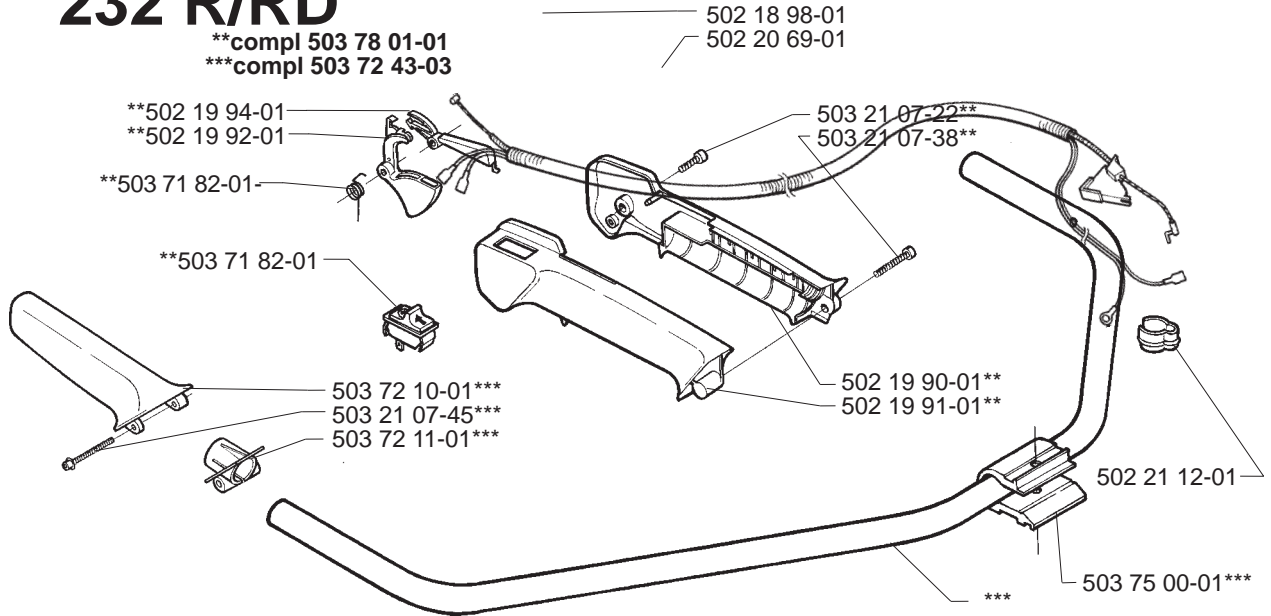
**P**

**Accessories**  
**Zubehöre**  
**Accessoires**  
**Accessorios**  
**Tillbehör**



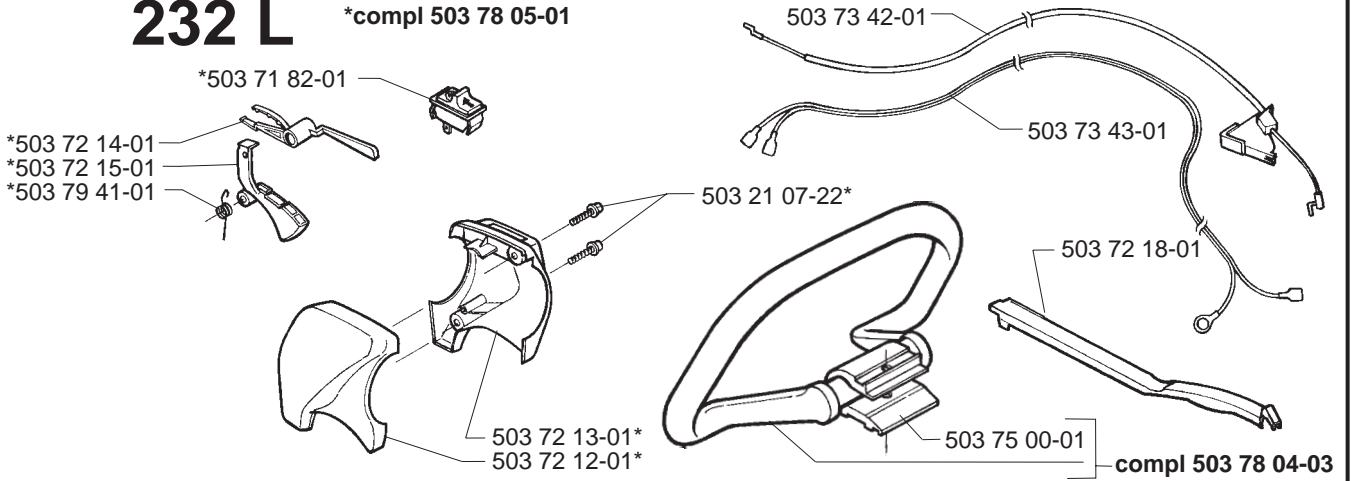
# R 232 R/RD

\*\*compl 503 78 01-01  
 \*\*\*compl 503 72 43-03

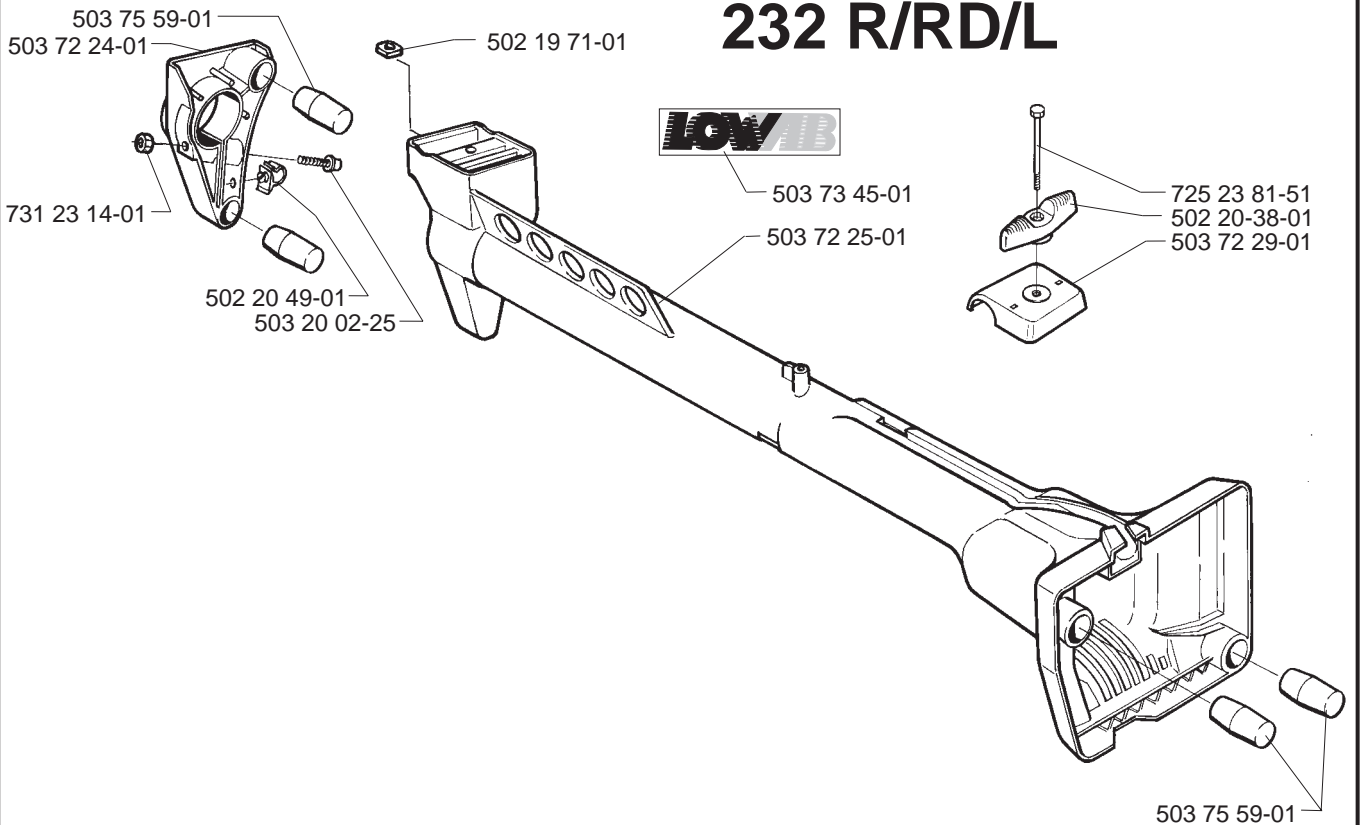


# 232 L

\*compl 503 78 05-01

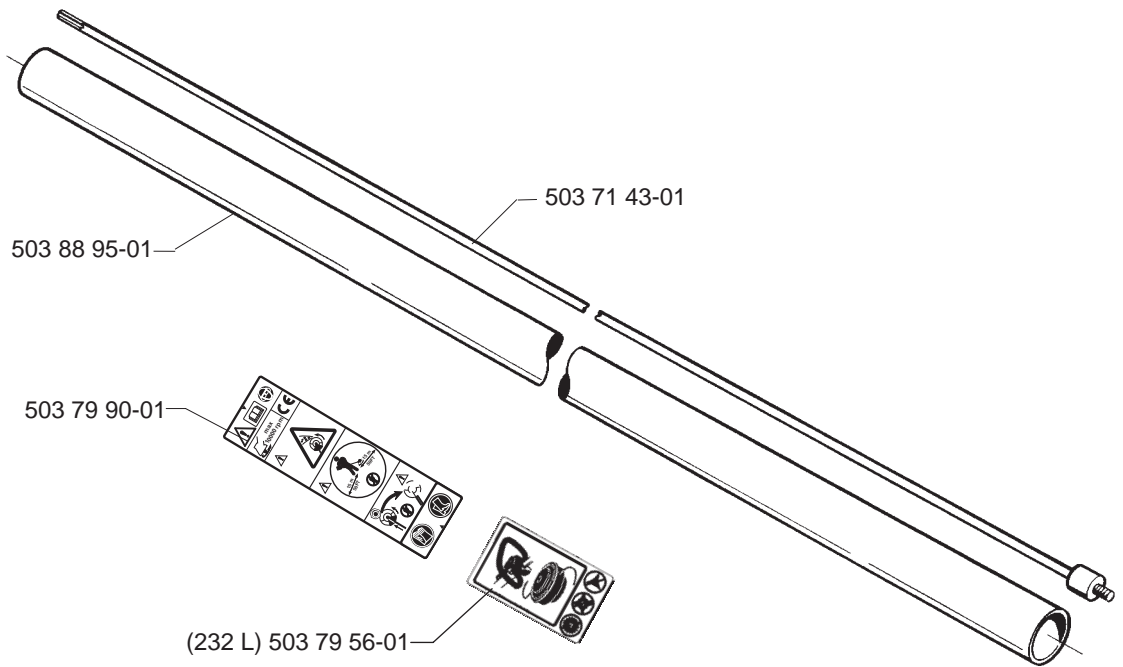


# 232 R/RD/L



S

# 232 R/L



# 232 RD

